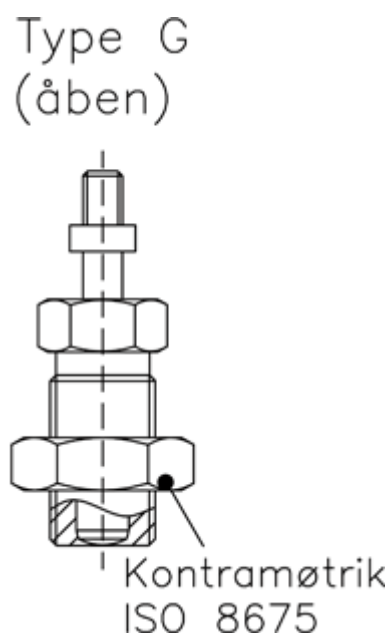
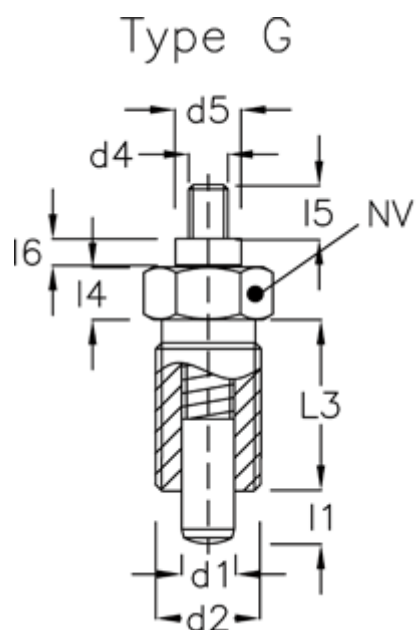


Article number: 20262013

Description: E+G

Indexing plunger GN 817-5-5-G

Measures



d1 = 5	l6	= 3.0
d2 = M10x1	NV	= 12
d4 = M4	Spring pressure N bottom	= 15.0
d5 = 8	Spring pressure N top	= 5.0
l1 = 5		
l3 = 18		
l4 = 6		
l5 = 5.5		